



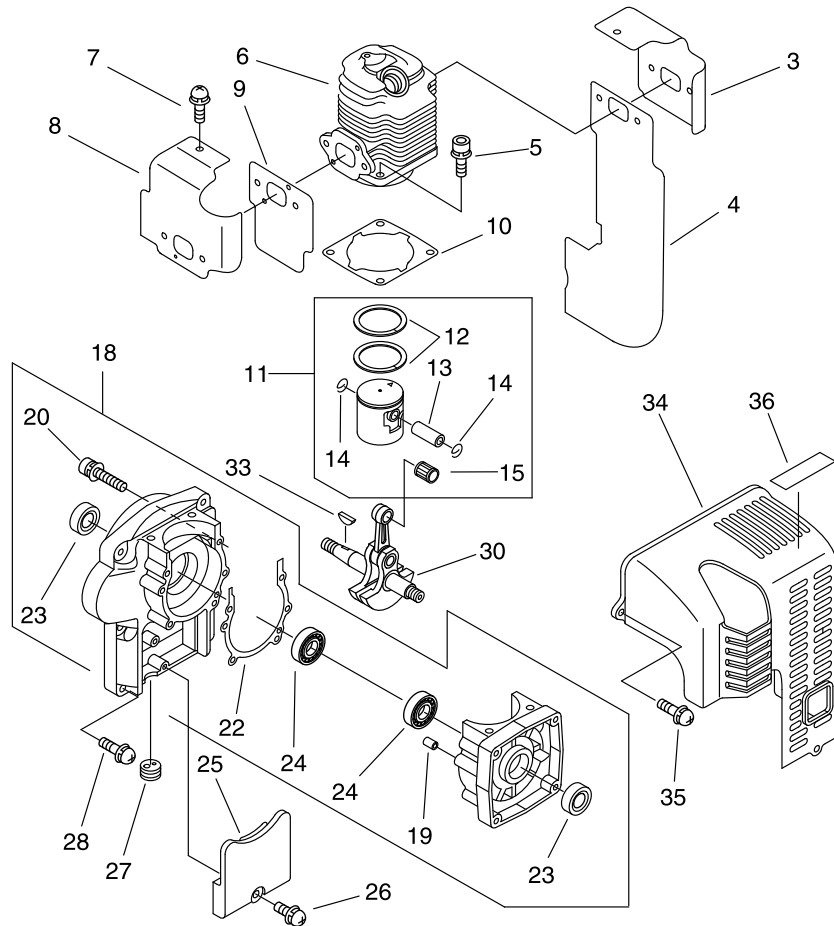
PARTS CATALOG

DUSTER / MIST BLOWER

DM-6110(20)ET

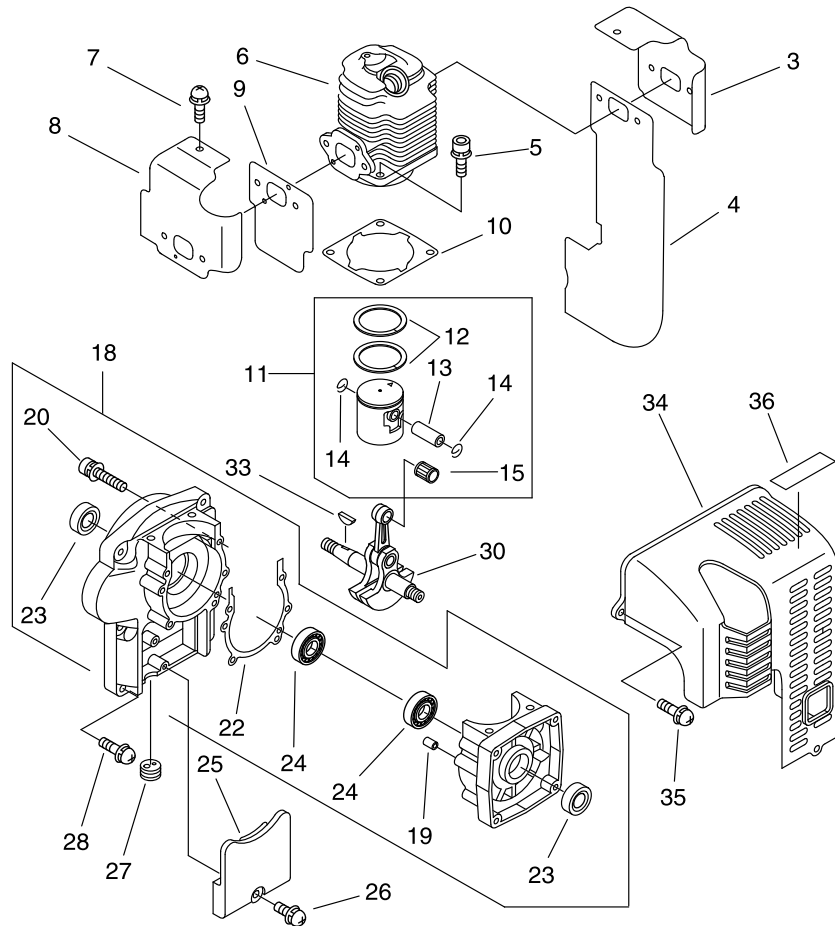
20001151 -

1. CYLINDER, CRANKCASE, PISTON



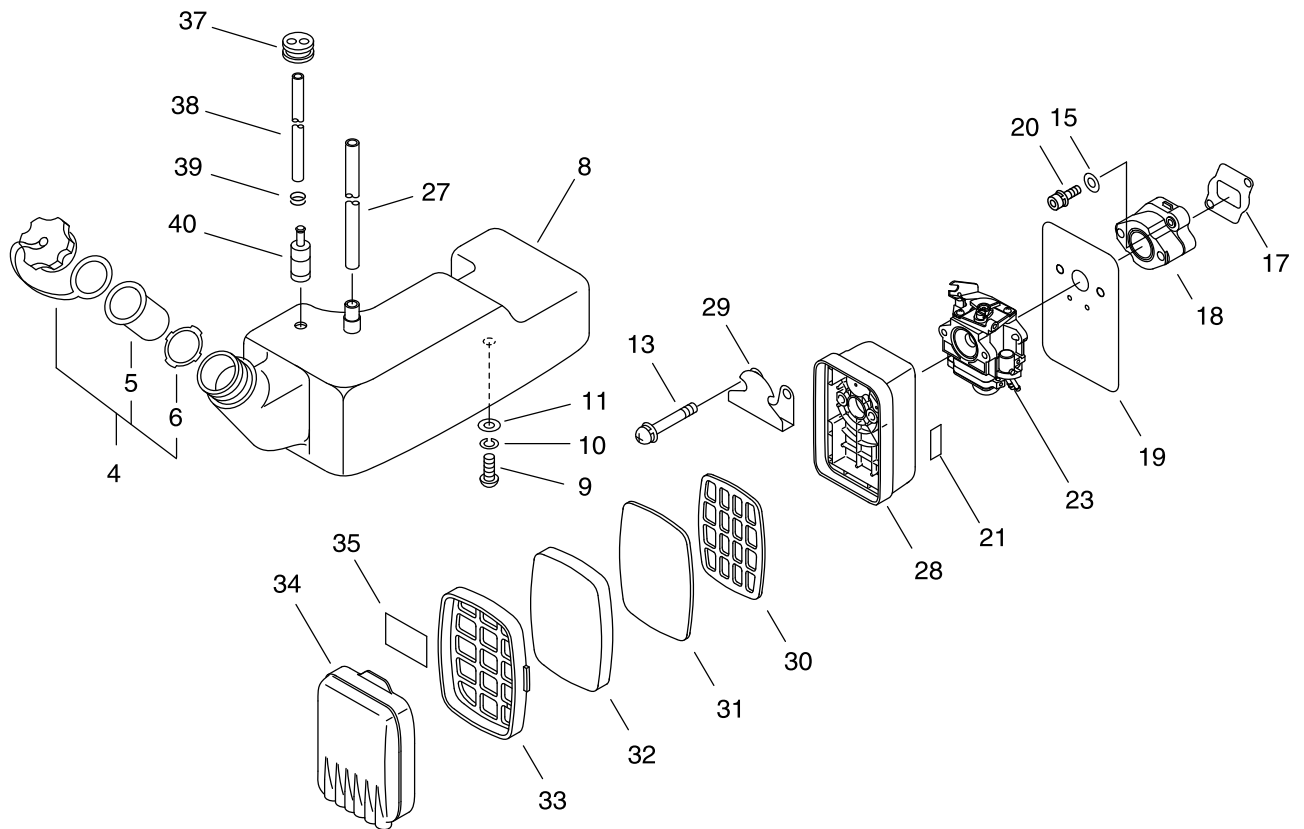
KEY	LV	PART NUMBER	Q'TY	DESCRIPTION	REMARKS	NOTE1	NOTE2
3		101514-06210	1	COVER, CYLINDER			
4		145512-06211	1	GASKET, MUFFLER			
5		900162-05022	4	BOLT, H.S. 5*22	5*22 W,SW		
6		A130-000111	1	CYLINDER			
7		900242-05010	1	SCREW 5*10			
8		A160-000680	1	COVER, CYLINDER			
9		V103-001540	1	GASKET, INTAKE			
10		101010-06211	1	GASKET, CYL. BASE			
11		P021-038580	1	PISTON KIT			
12	+	100011-08360	2	RING, PISTON			
13	+	100013-06210	1	PIN, PISTON			
14	+	V580-000010	2	RING, END	10		
15	+	100012-12330	1	BEARING, NEEDLE			
18		P021-014700	1	CRANKCASE SET			
19	+	100215-03930	2	PIN, DOWEL			
20	+	900162-05040	4	BOLT, H.S. 5*40	5*40 W,SW		
22	+	100242-10721	1	GASKET, CRANKCASE			
23	+	100213-00310	2	OILSEAL	ISCD 15 25 7		
24	+	900810-36202	2	BEARING, BALL 6202	6202/C3		
25		159129-08261	1	COVER, DUST			
26		900238-05018	1	SCREW 5*18	5*18		
27		150112-00310	1	BUSHING			
28		900292-05025	6	SCREW 5*25	5*25 SUS		
30		100100-06210	1	CRANKSHAFT ASSY			
33		900323-03014	1	KEY WOODRUFF	3*14		

1. CYLINDER, CRANKCASE, PISTON



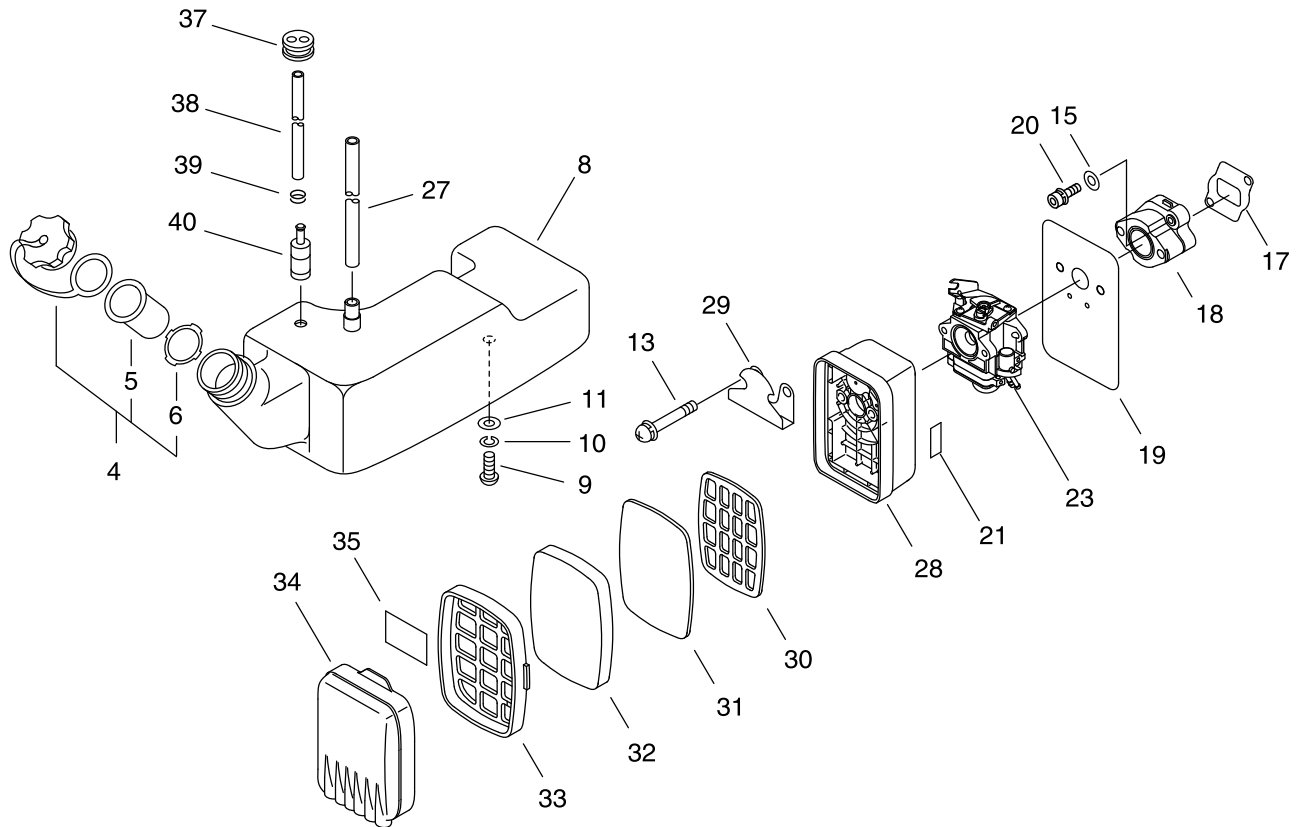
KEY	LV	PART NUMBER	Q'TY	DESCRIPTION	REMARKS	NOTE1	NOTE2
34		104016-06410	1	COVER, ENGINE			
35		900292-05020	3	SCREW 5*20	5*20 SUS		
36		X505-002310	1	LABEL, CAUTION	HOT CAUTION		

2. AIR CLEANER, FUEL TANK



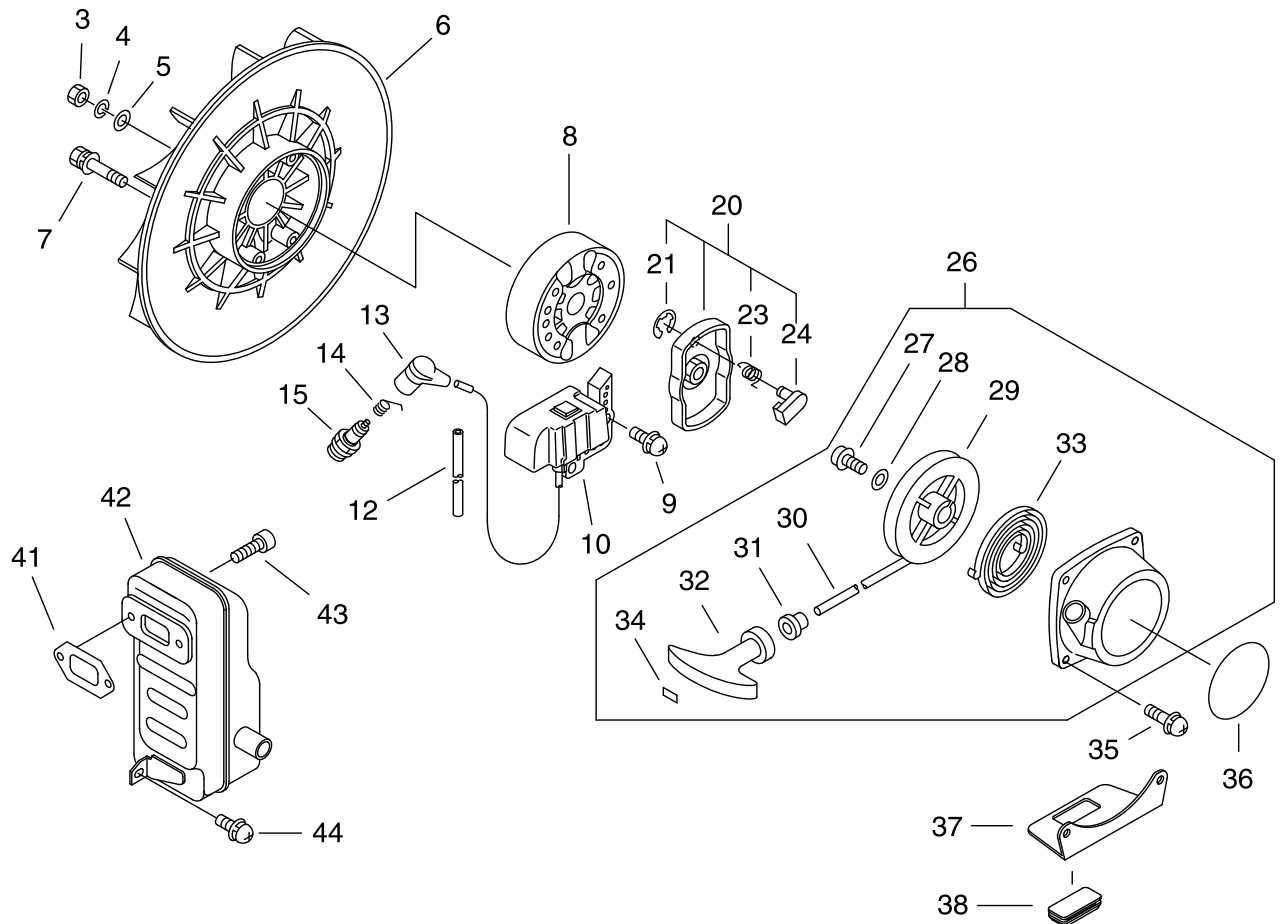
KEY	LV	PART NUMBER	Q'TY	DESCRIPTION	REMARKS	NOTE1	NOTE2
4		131600-42230	1	CAP ASSY, FUEL TANK			
5	+	131003-21230	1	CUP SET, VENT			
6	+	131016-21060	1	GASKET, FUEL CAP			
8		A350-000342	1	TANK, FUEL			
9		900220-06014	2	SCREW +-SR 6*14	6*14		
10		900605-00006	2	WASHER, SPRING 6	6		
11		145642-00760	2	WASHER 6.5*18*1.6	6.5*18*1.6		
13		91331-05060	2	SCREW	SR 5*60ZM		
15		145712-14730	2	WASHER			
17		V103-001520	1	GASKET, INTAKE			
18		A200-000191	1	INSULATOR, INTAKE			
19		V103-001530	1	GASKET, INTAKE			
20		900105-05030	2	BOLT, H.S. 5*30	5*30		
21		890121-65830	1	LABEL, CHOKE			
23		A021-003800	1	CARBURETOR, DIAPHRAGM			
27		V471-000550	1	PIPE	3*6*145		
28		P021-008620	1	CLEANER CASE ASY			
29		A244-000020	1	PLATE, PREVENT			
30		130319-03710	1	GRID, AIR CLEANER			
31		130317-03710	1	FILTER, AIR			
32		130310-02910	1	FILTER, AIR			
33		130311-03710	1	GRID, AIR CLEANER			
34		130313-03712	1	COVER, AIR CLEANER			
35		890187-03710	1	LABEL, CLEANER			
37		132115-56230	1	GROMMET, FUEL			

2. AIR CLEANER, FUEL TANK



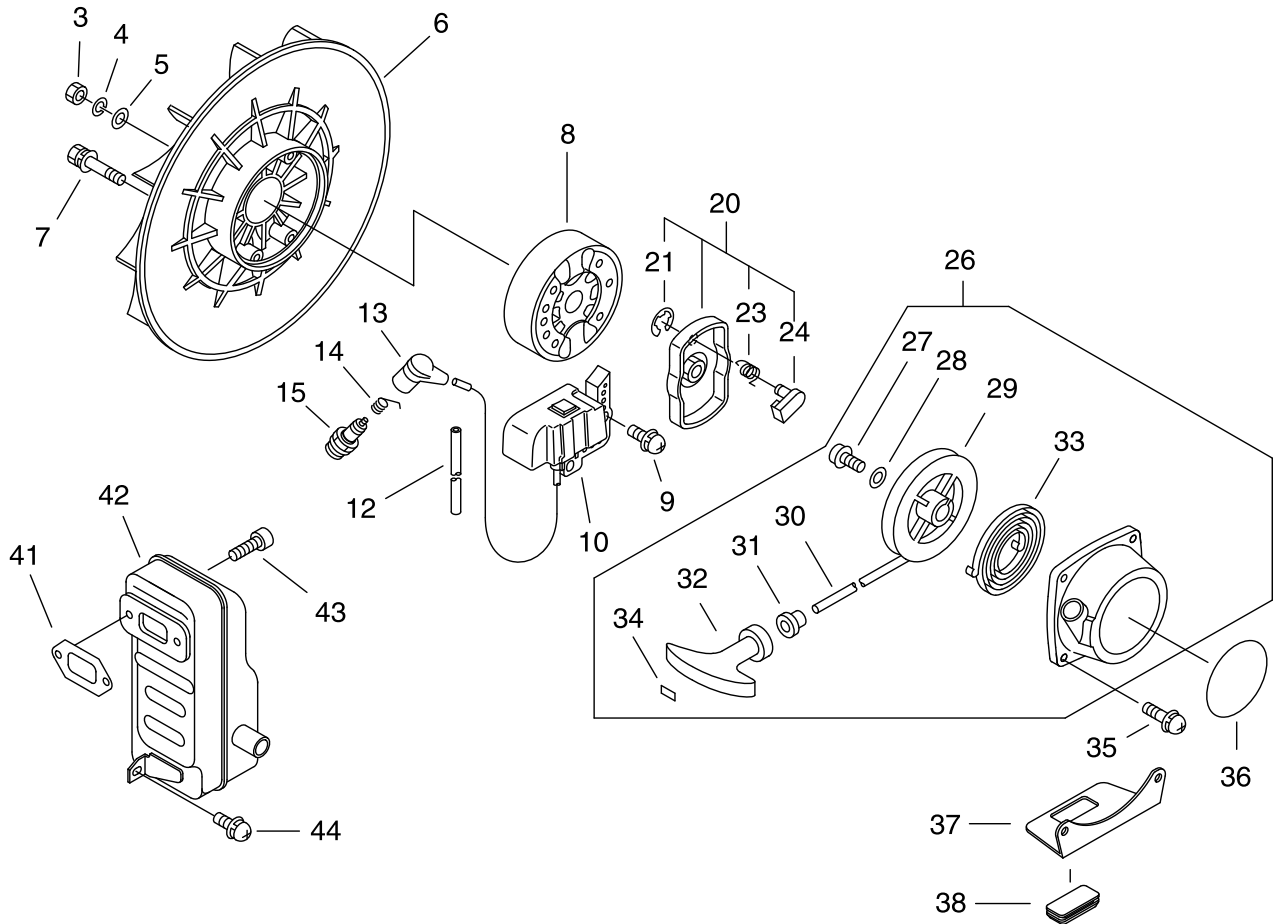
KEY	LV	PART NUMBER	Q'TY	DESCRIPTION	REMARKS	NOTE1	NOTE2
38		V471-000770	1	PIPE			
39		V490-001230	1	CLIP			
40		131205-19831	1	STRAINER, FUEL			

3. MAGNETO, STARTER



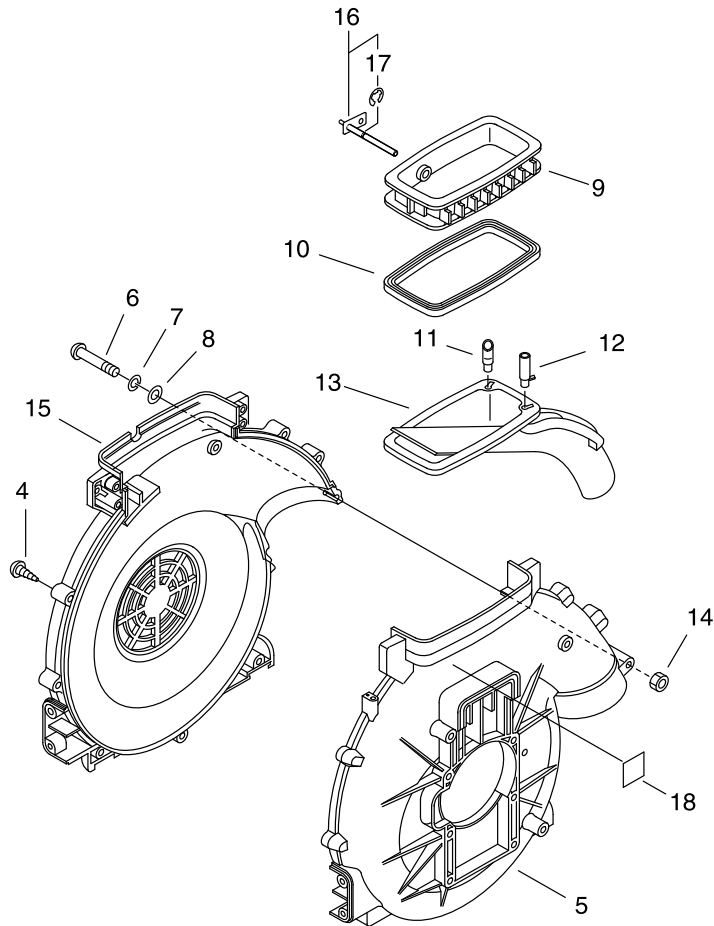
KEY	LV	PART NUMBER	Q'TY	DESCRIPTION	REMARKS	NOTE1	NOTE2
3		900501-00010	1	NUT 10*1.25	10*P1.25		
4		900605-00010	1	WASHER, SPRING 10	10		
5		900602-00010	1	WASHER 10(10.5*21*2)	10.5*21*2		
6		200005-06210	1	FAN			
7		900148-05035	4	BOLT 5*35	5*35		
8		156800-06161	1	ROTOR, MAGNETO			
9		900238-05018	2	SCREW 5*18	5*18		
10		156601-06211	1	C.D. IGNITION MODULE			
12		156611-04260	1	TUBE	6*8*340		
13		159012-03433	1	CAP, SPARK PLUG			
14		159011-03432	1	COIL, SPARK PLUG			
15		159010-19630	1	PLUG, SPARK (BPM-7Y)	BPM-7Y		
20		177202-06210	1	PAWL ASSY, STARTER			
21	+	P022-002100	1	E-RING	4		
23	+	177234-40630	1	SPRING, RETURN			
24	+	177218-40630	1	PAWL, STARTER	WHITE		
26		177200-06210	1	STARTER ASSY			
27	+	177236-40630	1	SCREW			
28	+	P022-022280	1	WASHER			
29	+	P022-022290	1	DRUM, STARTER			
30	+	177226-11120	1	ROPE, STARTER	3.8*1400		
31	+	177227-42030	1	GUIDE, ROPE			
32	+	177228-11120	1	GRIP, STARTER			
33	+	177220-11120	1	REWIND SPRING			
34	+	177246-11120	1	CLIP, STARTER ROPE			

3. MAGNETO, STARTER



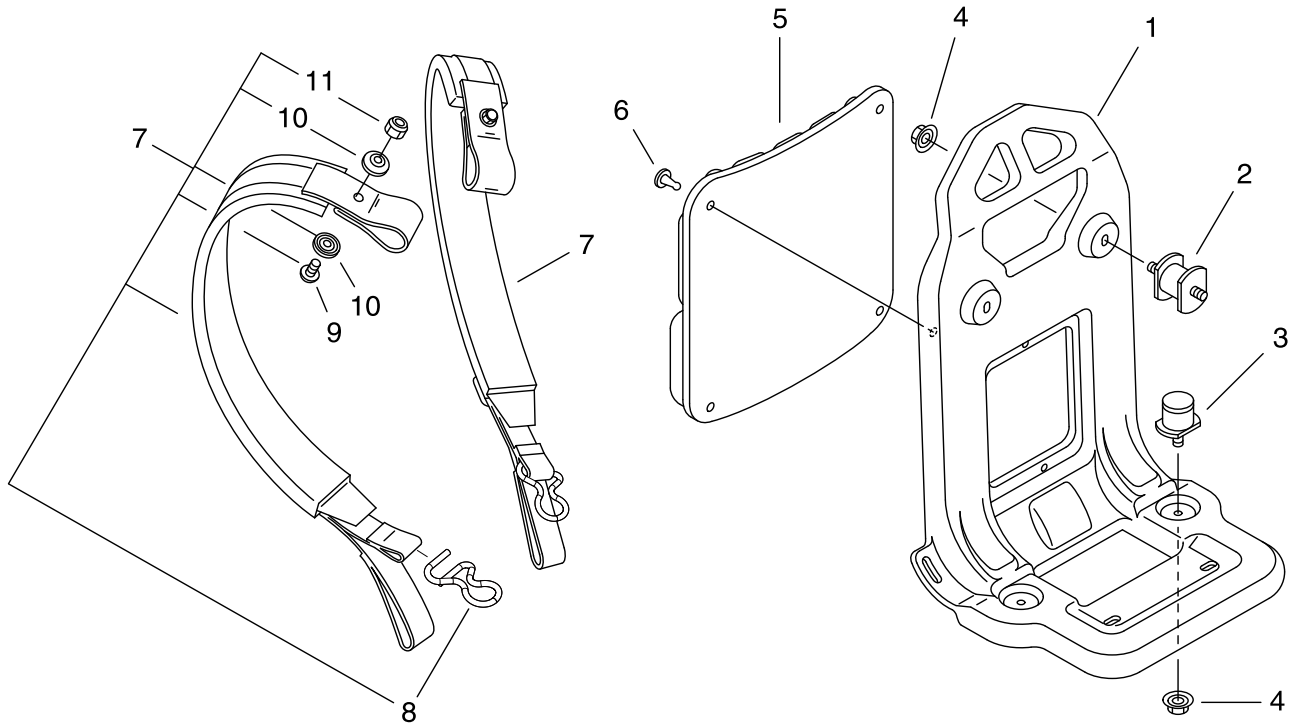
KEY	LV	PART NUMBER	Q'TY	DESCRIPTION	REMARKS	NOTE1	NOTE2
35		900292-04018	4	SCREW 4*18	4*18 SUS		
36		X502-000780	1	LABEL,ECHO			
37		300029-06210	1	PLATE, ANGLE			
38		305117-03360	1	CUSHION			
41		145510-06211	1	GASKET, MUFFLER			
42		P021-008630	1	MUFFLER ASY			
43		900105-06020	2	BOLT, H.S. 6*20	6*20		
44		900242-05014	1	SCREW 5*14			

4. FAN CASE



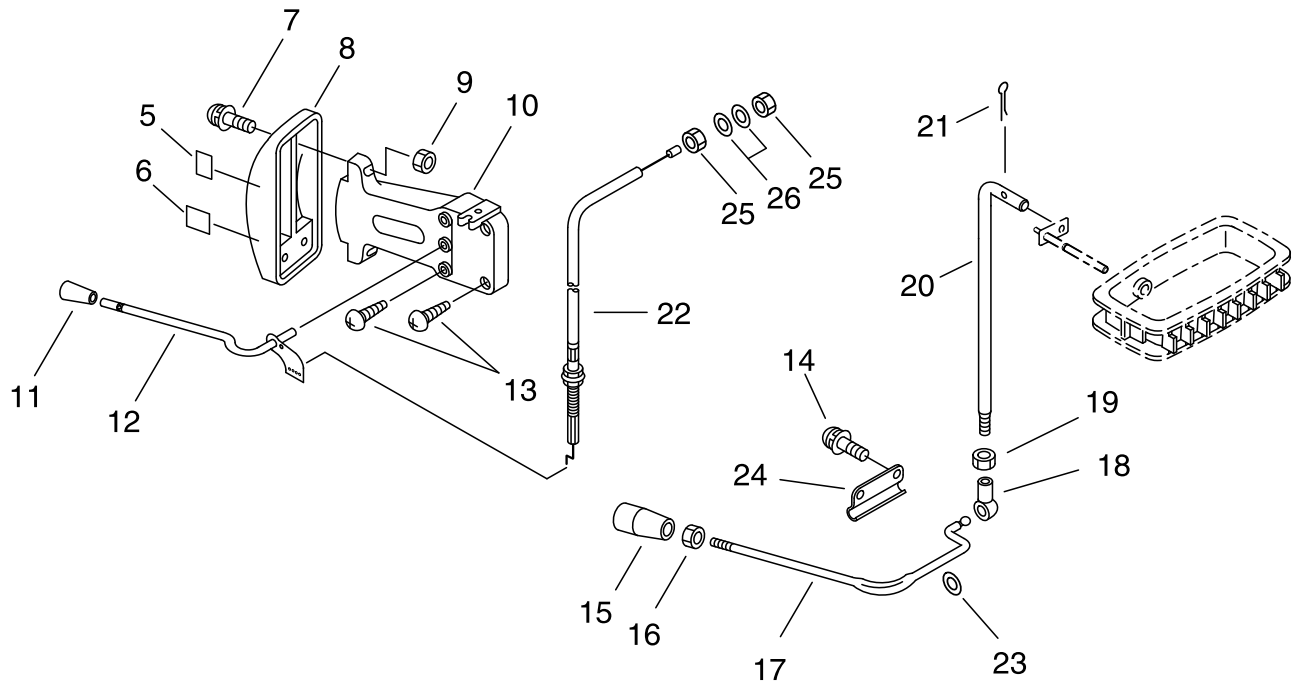
KEY	LV	PART NUMBER	Q'TY	DESCRIPTION	REMARKS	NOTE1	NOTE2
4		900286-05025	11	SCREW 5*25 SUS	5*25 SUS		
5		E103-001020	1	CASE,FAN			
6		210425-04110	2	BOLT			
7		900609-00005	2	WASHER, SPRING 5 SUS	5 SUS		
8		900604-00005	2	WASHER 5 SUS	5 SUS		
9		270010-06211	1	TANK, LOWER			
10		270018-06210	1	PACKING			
11		370321-06210	1	PLATE			
12		370316-06210	1	GUIDE, AIR			
13		370301-06211	1	PIPE, DUST OUTLET			
14		900562-50005	2	LOCKNUT 5	5		
15		200105-07712	1	CASE, FAN			
16		701033-06211	1	PIN, STRAIGHT 10			
17	+	900703-00008	1	E-RING 8 SUS	CE-8 SUS		
18		X524-004340	1	LABEL	E20		

5. HARNESS



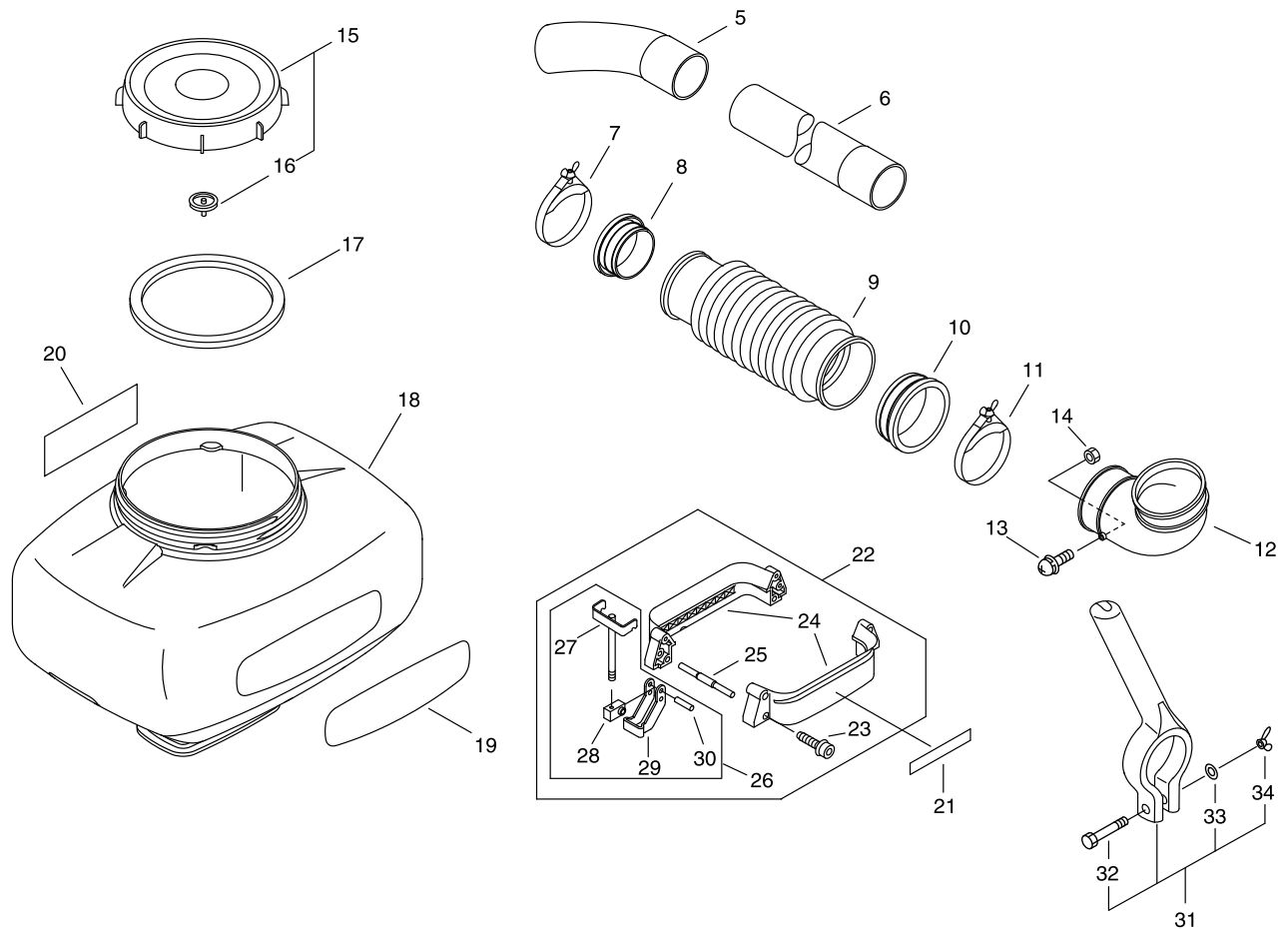
KEY	LV	PART NUMBER	Q'TY	DESCRIPTION	REMARKS	NOTE1	NOTE2
1		300010-07312	1	FRAME, BACKPACK			
2		200910-06210	2	CUSHION			
3		200916-03210	2	CUSHION			
4		250916-06210	4	NUT			
5		300111-14010	1	CUSHION, KNAPSACK			
6		300333-06160	4	CLIP			
7		P021-041100	2	HARNESS,ASM BACKPACK			
8	+	C646-000120	2	RING, HARNESS			
9	+	900216-05016	2	SCREW, 5*16	5*16		
10	+	300328-03210	4	WASHER, HARNESS			
11	+	900560-00005	2	NUT, LOCK 5	5		

6. THROTTLE LEVER



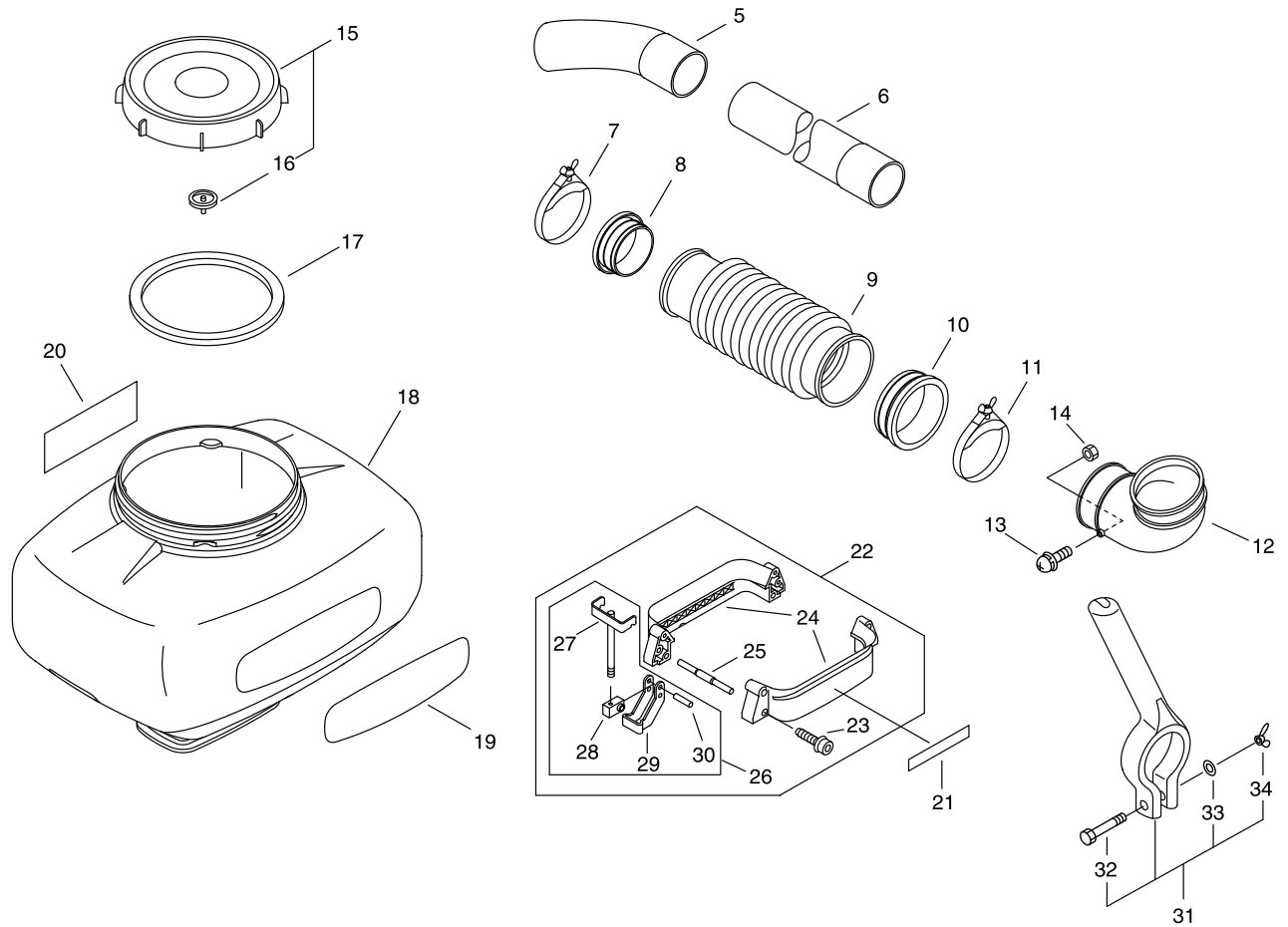
KEY	LV	PART NUMBER	Q'TY	DESCRIPTION	REMARKS	NOTE1	NOTE2
5		890348-05060	1	LABEL, SPEED			
6		890157-39130	1	LABEL, SWITCH			
7		900292-05025	2	SCREW 5*25	5*25 SUS		
8		701111-06213	1	DIAL			
9		900504-00005	2	NUT 5B	5B		
10		701112-06414	1	BRACKET, DIAL			
11		E151-000010	1	KNOB, LEVER			
12		C453-000131	1	LEVER, THROTTLE			
13		900286-05025	4	SCREW 5*25 SUS	5*25 SUS		
14		900292-05014	2	SCREW 5*14	5*14 SUS		
15		701007-06610	1	KNOB, LEVER			
16		900502-00006	1	NUT 6 (3N)	3N6		
17		701010-06610	1	LEVER, CONTROL			
18		701020-05510	1	CONNECTOR			
19		900500-00005	1	NUT 5	5		
20		701014-06510	1	ROD, CONTROL LEVER			
21		605612-06510	1	PIN, SNAP			
22		V430-001330	1	CABLE, BOWDEN			
23		900600-00008	1	WASHER 8	8		
24		701028-06210	1	HOLDER, STOPPER			
25		900503-00006	2	NUT (3N 6*0.75)	3N 6*0.75		
26		900600-00006	2	WASHER 6	6		

7. CHEMICAL TANK



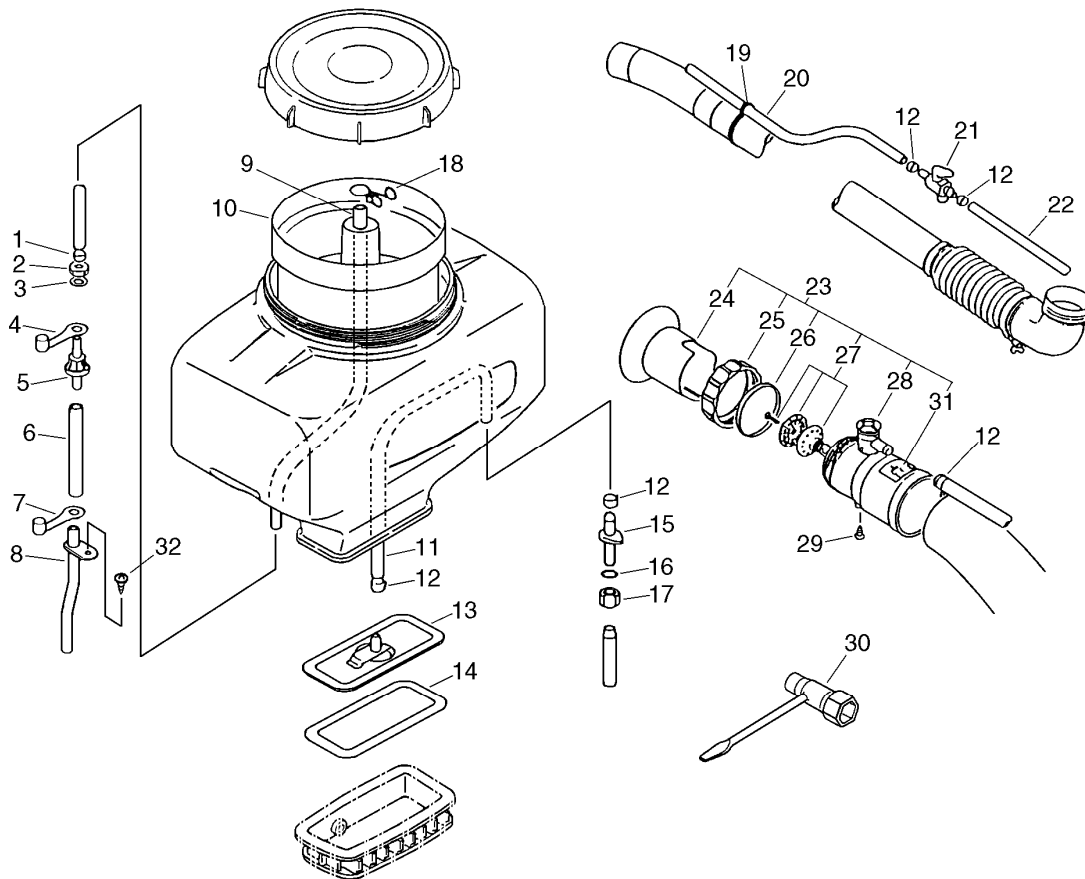
KEY	LV	PART NUMBER	Q'TY	DESCRIPTION	REMARKS	NOTE1	NOTE2
5		210023-01060	1	PIPE, CURVED (BL)			
6		E165-000600	1	PIPE,BLOWER			
7		V495-001171	1	BAND			
8		210032-04110	1	PACKING, FLX. PIPE			
9		210013-04111	1	PIPE, FLEXIBLE			
10		210036-04110	1	GASKET, FLX. PIPE			
11		V495-001201	1	BAND			
12		210011-05510	1	ELBOW, BLOWING			
13		900242-05014	1	SCREW 5*14			
14		900500-00005	1	NUT 5	5		
15		250001-05610	1	CAP, CHEMICAL TANK			
16	+	250013-00310	1	CAP, INSIDE			
17		250011-02011	1	PACKING			
18		250017-08013	1	TANK, CHEMICAL	23 L		
19		X502-000440	1	LABEL,ECHO			
20		890160-09461	1	LABEL, CAUTION			
21		X503-008360	1	LABEL,MODEL	DM-6110		
22		270000-06311	1	HOLDER ASSY, C.TANK			
23	+	91148-05035	4	BOLT HS FL TAPP	M5*35		
24	+	250910-06310	2	HOLDER, C. TANK			
25	+	250914-06210	2	PIN, TANK HOLDER			
26	+	250902-06310	1	BRACKET ASSY, C.TANK			
27	++	250915-06310	2	BOLT, TANK HOLDER			
28	++	250930-06210	2	CONNECTOR, BRACKET			
29	++	250932-06210	2	BRACKET, TANK			

7. CHEMICAL TANK



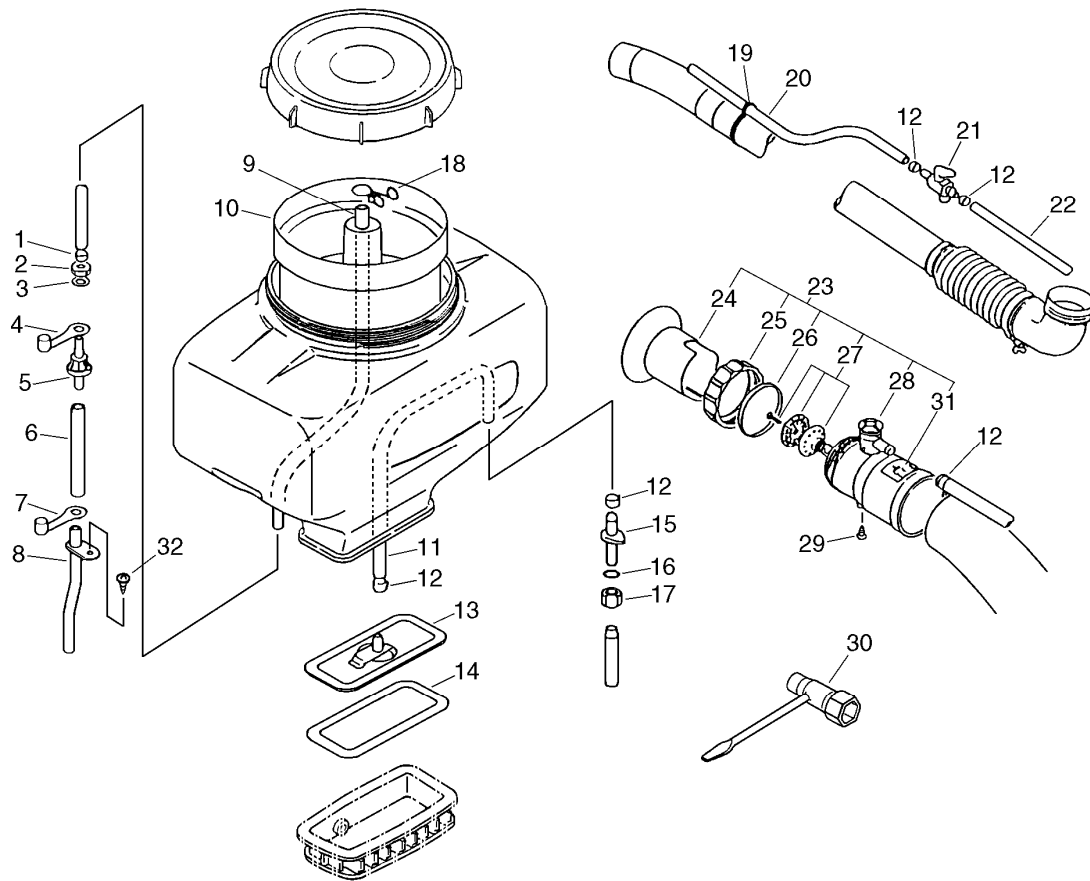
KEY	LV	PART NUMBER	Q'TY	DESCRIPTION	REMARKS	NOTE1	NOTE2
30	++	900333-70380	2	PIN, STRAIGHT			
31		C040-000020	1	HANDLE,FRONT			
32	+	900100-06045	1	BOLT 6*45	6*45		
33	+	900600-00006	1	WASHER 6	6		
34	+	900525-00006	1	NUT, WING 6	BN6		

8. MIST BLOWER



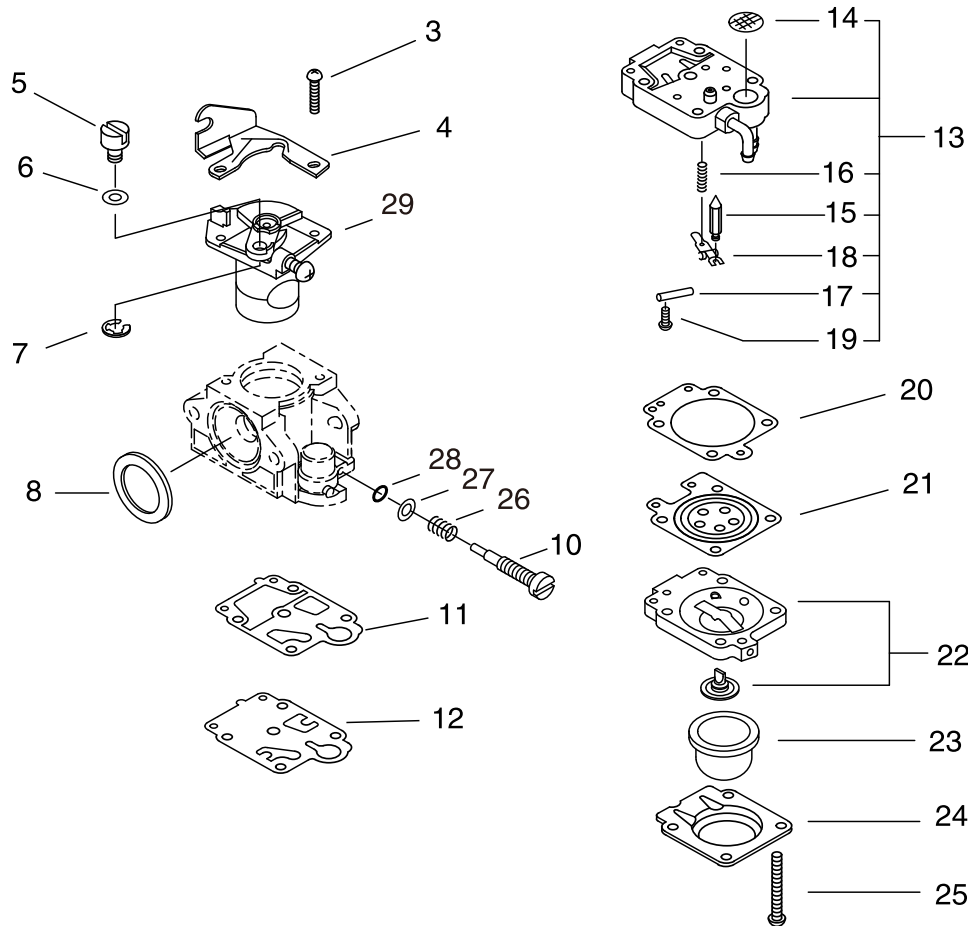
KEY	LV	PART NUMBER	Q'TY	DESCRIPTION	REMARKS	NOTE1	NOTE2
1		132013-14010	1	BAND	10.5MM		
2		363019-00310	1	NUT, CONNECTOR			
3		363018-00310	1	WASHER			
4		363022-00510	1	PLUG			
5		363017-00310	1	CONNECTOR, PIPE			
6		363011-00210	1	PIPE, AIR (OUTER)			
7		363021-01110	1	PLUG			
8		E105-000000	1	PIPE,AIR			
9		363014-03210	1	PIPE (INNER)	7*11*500BL		
10		254210-03210	1	FILTER			
11		382011-01110	1	PIPE (9*13)	9*13*350		
12		V495-000310	5	BAND			
13		253010-08010	1	PLATE, TANK BOTTOM			
14		270119-06210	1	GASKET, SHUTTER			
15		357010-01110	1	NIPPLE, OUTLET			
16		357014-01110	1	O-RING	3*13		
17		357015-01110	1	NUT, HOLLOW			
18		363023-01110	1	CLIP			
19		357911-00111	1	CLIP, PIPE			
20		357011-02410	1	PIPE (L-650)	9*13*650L		
21		358100-01111	1	COCK, LIQUID			
22		357032-01110	1	PIPE (L-720)	9*13*720		
23		212500-01112	1	NOZZLE ASM., MIST			
24	+	212515-01110	1	COLLAR, NOZZLE			
25	+	212514-01110	1	NUT, MISTING NOZZLE			

8. MIST BLOWER



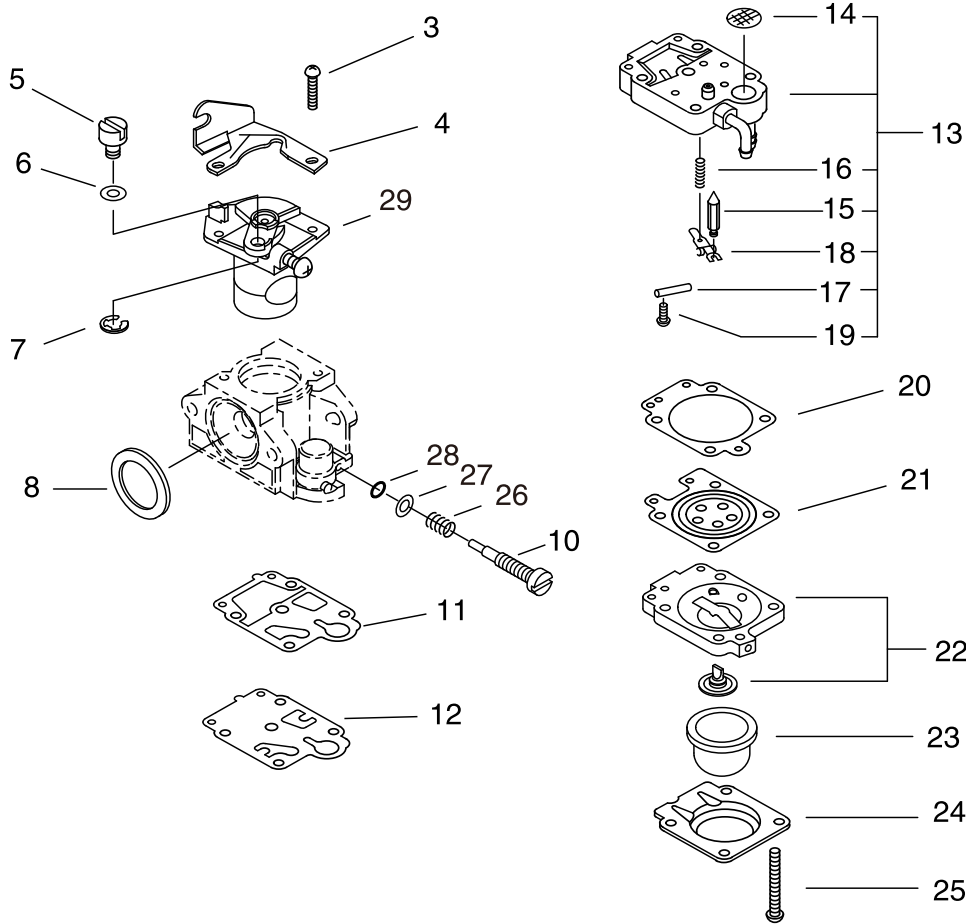
KEY	LV	PART NUMBER	Q'TY	DESCRIPTION	REMARKS	NOTE1	NOTE2
26	+	212513-01110	1	RING, MISTING NOZZLE			
27	+	222000-01110	1	NOZZLE			
28	+	212501-01111	1	HEAD, NOZZLE BL	BL		
29	++	900246-05012	1	SCREW 5*12	5*12		
31	+	890031-01110	1	LABEL, MIST			
30		X602-000020	1	TOOL, WRENCH	17*19 L200		
32		900286-05016	1	SCREW 5*16 SUS	5*16 SUS		

9. CARBURETOR



KEY	LV	PART NUMBER	Q'TY	DESCRIPTION	REMARKS	NOTE1	NOTE2
		A021-003800	1	CARBURETOR,DIAPHRAGM			
3	+	123114-40630	2	SCREW			
4	+	P003-000180	1	BRACKET CABLE			
5	+	123172-45130	1	SWIVEL			
6	+	123149-54230	1	WASHER			
7	+	123173-07930	1	CLIP			
8	+	123143-12110	1	RING, PACKING			
10	+	P003-004990	1	NEEDLE			
11	+	P003-000100	1	GASKET, PUMP			
12	+	123112-40630	1	DIAPHRAGM, PUMP			
13	+	123179-05560	1	BODY ASSY, PUMP			
14	++	123126-10631	1	SCREEN, INLET			
15	++	123137-19830	1	VALVE, INLET NEEDLE			
16	++	123122-05560	1	SPRING, METER. LEVER			
17	++	123138-03930	1	PIN, METERING LEVER			
18	++	123123-03930	1	LEVER, METERING			
19	++	123139-05560	1	SCREW, M. LEVER PIN			
20	+	123140-05560	1	GASKET, M. DIAPHRAGM			
21	+	P003-001850	1	DIAPHRAGM, METERING			
22	+	123180-05560	1	BODY, AIR PURGE			
23	+	123181-40630	1	PUMP, PRIMER			
24	+	123142-05560	1	COVER, PRIMER PUMP			
25	+	123110-05560	4	SCREW, PUMP COVER			
26	+	123121-22130	1	SPRING, NEEDLE			
27	+	123174-54230	1	WASHER, CHECK VALVE			

9. CARBURETOR



KEY	LV	PART NUMBER	Q'TY	DESCRIPTION	REMARKS	NOTE1	NOTE2
28	+	123183-54230	1	O-RING			
29	+	P003-004980	1	VALVE ASY-THROTTLE			

Index

Patrs Number	Key No.	Patrs Number	Key No.	Patrs Number	Key No.
100011-08360	1 - 12	156800-06161	3 - 8	300029-06210	3 - 37
100012-12330	1 - 15	159010-19630	3 - 15	300111-14010	5 - 5
100013-06210	1 - 13	159011-03432	3 - 14	300328-03210	5 - 10
100100-06210	1 - 30	159012-03433	3 - 13	300333-06160	5 - 6
100213-00310	1 - 23	159129-08261	1 - 25	305117-03360	3 - 38
100215-03930	1 - 19	177200-06210	3 - 26	357010-01110	8 - 15
100242-10721	1 - 22	177202-06210	3 - 20	357011-02410	8 - 20
101010-06211	1 - 10	177218-40630	3 - 24	357014-01110	8 - 16
101514-06210	1 - 3	177220-11120	3 - 33	357015-01110	8 - 17
104016-06410	1 - 34	177226-11120	3 - 30	357032-01110	8 - 22
123110-05560	9 - 25	177227-42030	3 - 31	357911-00111	8 - 19
123112-40630	9 - 12	177228-11120	3 - 32	358100-01111	8 - 21
123114-40630	9 - 3	177234-40630	3 - 23	363011-00210	8 - 6
123121-22130	9 - 26	177236-40630	3 - 27	363014-03210	8 - 9
123122-05560	9 - 16	177246-11120	3 - 34	363017-00310	8 - 5
123123-03930	9 - 18	200005-06210	3 - 6	363018-00310	8 - 3
123126-10631	9 - 14	200105-07712	4 - 15	363019-00310	8 - 2
123137-19830	9 - 15	200910-06210	5 - 2	363021-01110	8 - 7
123138-03930	9 - 17	200916-03210	5 - 3	363022-00510	8 - 4
123139-05560	9 - 19	210011-05510	7 - 12	363023-01110	8 - 18
123140-05560	9 - 20	210013-04111	7 - 9	370301-06211	4 - 13
123142-05560	9 - 24	210023-01060	7 - 5	370316-06210	4 - 12
123143-12110	9 - 8	210032-04110	7 - 8	370321-06210	4 - 11
123149-54230	9 - 6	210036-04110	7 - 10	382011-01110	8 - 11
123172-45130	9 - 5	210425-04110	4 - 6	605612-06510	6 - 21
123173-07930	9 - 7	212500-01112	8 - 23	701007-06610	6 - 15
123174-54230	9 - 27	212501-01111	8 - 28	701010-06610	6 - 17
123179-05560	9 - 13	212513-01110	8 - 26	701014-06510	6 - 20
123180-05560	9 - 22	212514-01110	8 - 25	701020-05510	6 - 18
123181-40630	9 - 23	212515-01110	8 - 24	701028-06210	6 - 24
123183-54230	9 - 28	222000-01110	8 - 27	701033-06211	4 - 16
130310-02910	2 - 32	250001-05610	7 - 15	701111-06213	6 - 8
130311-03710	2 - 33	250011-02011	7 - 17	701112-06414	6 - 10
130313-03712	2 - 34	250013-00310	7 - 16	890031-01110	8 - 31
130317-03710	2 - 31	250017-08013	7 - 18	890121-65830	2 - 21
130319-03710	2 - 30	250902-06310	7 - 26	890157-39130	6 - 6
131003-21230	2 - 5	250910-06310	7 - 24	890160-09461	7 - 20
131016-21060	2 - 6	250914-06210	7 - 25	890187-03710	2 - 35
131205-19831	2 - 40	250915-06310	7 - 27	890348-05060	6 - 5
131600-42230	2 - 4	250916-06210	5 - 4	900100-06045	7 - 32
132013-14010	8 - 1	250930-06210	7 - 28	900105-05030	2 - 20
132115-56230	2 - 37	250932-06210	7 - 29	900105-06020	3 - 43
145510-06211	3 - 41	253010-08010	8 - 13	900148-05035	3 - 7
145512-06211	1 - 4	254210-03210	8 - 10	900162-05022	1 - 5
145642-00760	2 - 11	270000-06311	7 - 22	900162-05040	1 - 20
145712-14730	2 - 15	270010-06211	4 - 9	900216-05016	5 - 9
150112-00310	1 - 27	270018-06210	4 - 10	900220-06014	2 - 9
156601-06211	3 - 10	270119-06210	8 - 14	900238-05018	1 - 26
156611-04260	3 - 12	300010-07312	5 - 1	900238-05018	3 - 9

Index

Patrs Number	Key No.	Patrs Number	Key No.	Patrs Number	Key No.
900242-05010	1 - 7	P003-000100	9 - 11		
900242-05014	3 - 44	P003-000180	9 - 4		
900242-05014	7 - 13	P003-001850	9 - 21		
900246-05012	8 - 29	P003-004980	9 - 29		
900286-05016	8 - 32	P003-004990	9 - 10		
900286-05025	4 - 4	P021-008620	2 - 28		
900286-05025	6 - 13	P021-008630	3 - 42		
900292-04018	3 - 35	P021-014700	1 - 18		
900292-05014	6 - 14	P021-038580	1 - 11		
900292-05020	1 - 35	P021-041100	5 - 7		
900292-05025	1 - 28	P022-002100	3 - 21		
900292-05025	6 - 7	P022-022280	3 - 28		
900323-03014	1 - 33	P022-022290	3 - 29		
900333-70380	7 - 30	V103-001520	2 - 17		
900500-00005	6 - 19	V103-001530	2 - 19		
900500-00005	7 - 14	V103-001540	1 - 9		
900501-00010	3 - 3	V430-001330	6 - 22		
900502-00006	6 - 16	V471-000550	2 - 27		
900503-00006	6 - 25	V471-000770	2 - 38		
900504-00005	6 - 9	V490-001230	2 - 39		
900525-00006	7 - 34	V495-000310	8 - 12		
900560-00005	5 - 11	V495-001171	7 - 7		
900562-50005	4 - 14	V495-001201	7 - 11		
900600-00006	6 - 26	V580-000010	1 - 14		
900600-00006	7 - 33	X502-000440	7 - 19		
900600-00008	6 - 23	X502-000780	3 - 36		
900602-00010	3 - 5	X503-008360	7 - 21		
900604-00005	4 - 8	X505-002310	1 - 36		
900605-00006	2 - 10	X524-004340	4 - 18		
900605-00010	3 - 4	X602-000020	8 - 30		
900609-00005	4 - 7				
900703-00008	4 - 17				
900810-36202	1 - 24				
91148-05035	7 - 23				
91331-05060	2 - 13				
A021-003800	2 - 23				
A021-003800	9 -				
A130-000111	1 - 6				
A160-000680	1 - 8				
A200-000191	2 - 18				
A244-000020	2 - 29				
A350-000342	2 - 8				
C040-000020	7 - 31				
C453-000131	6 - 12				
C646-000120	5 - 8				
E103-001020	4 - 5				
E105-000000	8 - 8				
E151-000010	6 - 11				
E165-000600	7 - 6				

YAMABIKO CORPORATION

7-2 SUEHIROCHO 1-CHOME, OHME, TOKYO 198-8760, JAPAN
PHONE: 81-428-32-6118. FAX: 81-428-32-6145.



12Eb
No. 04-266